

ELECTRICAL

- Solar. 44
- Batteries 46
- Battery accessories 47
- Grab handles 48
- Connectors and leads 49
- Outlets and panels 50
- Lighting 51







12V MONO-CRYSTALLINE PHOTOVOLTAIC ELECTRIC SOLAR ENERGY PANELS

Camec's mono-crystalline solar panel range uses only A-Grade solar cells throughout ensuring the panels will effectively generate as much current as possible with the available sunlight supplied. All solar cells are individually tested to ensure they meet A-Grade SPECIFICATIONS: before being assembled into a final panel. This way we can guarantee that the power rating of the panel is true and not overstated. All panels feature toughened glass to protect the cells even under the most harsh of RV environments and with thousands of these panels already installed on RVs throughout Australia and New Zealand, you can be assured of Camec's commitment to quality.

All Camec solar panels feature our exclusive 25/5 warranty - 25 year panel and 5 year accessory warranty.

CAMEC FIXED SOLAR PANEL
044045 100 WATT
044046 150 WATT

SPECIFICATIONS:	100 WATT	150 WATT
Dimensions	664 x 1006 x 35mm	664 x 1460 x 35mm
Size of Solar Cell	156 x 156mm	156x156mm
Max Power Output (Pm)	100 Watt	150 Watt
Output Tolerance	±5%	±5%
Open Circuit Voltage (Voc)	25.5V	22.4V
Short Circuit Current (Isc)	6.18A	8.66A
Working Current (Imp)	5.81A	8.31A
Working Voltage (Vmp)	17.2V	18.1V
Type of Output Terminal	Junction Box	Junction Box
Testing Conditions	AM1.5, 1000W/m ² , 25°C	AM1.5, 1000W/m ² , 25°C
Weight	7.5kg	10.6kg
MC4 Plugs	No	Yes

MC4 Plugs



CAMEC FOLDING SOLAR PANELS WITH EXCLUSIVE 15A REGULATOR - 100 WATT
044047 100 WATT



CAMEC FOLDING SOLAR PANELS WITH EXCLUSIVE 15A REGULATOR - 120 WATT
044048 120 WATT



CAMEC FOLDING SOLAR PANELS WITH EXCLUSIVE 15A REGULATOR - 160 WATT
044049 160 WATT

SPECIFICATIONS:	100 WATT	120 WATT	160 WATT
Dimensions Open:	1052 x 664 x 35mm	1266 x 664 x 35mm	1332 x 758 x 35mm
Dimensions Folded:	664 x 524 x 75mm	664 x 631 x 75mm	664 x 758 x 75mm
Size of Solar Cell:	156 x 156mm	156 x 156mm	156 x 156mm
Max Power Output (Pm):	100 Watt	120 Watt	160 Watt
Output Tolerance:	±5%	±5%	±5%
Open Circuit Voltage (Voc):	22.5V	21.60V	22.30V
Short Circuit Current (Isc):	6.18A	7.08A	9.19A
Working Current (Imp):	5.62A	6.8A	8.88A
Working Voltage (Vmp):	17.8V	17.60V	18.0V
Type of Output Terminal:	Junction Box	Junction Box	Junction Box
Testing Conditions:	AM1.5, 1000W/m ² , 25°C	AM1.5, 1000W/m ² , 25°C	AM1.5, 1000W/m ² , 25°C
Weight:	10.0kg	12.0kg	14.0kg



CAMEC 12V SOLAR REGULATORS
042470 15 AMP

Solar Charge Regulators are able to handle charge and discharge from a 12V battery and provide over-charging/discharging, and over-load protection. Designed to keep the solar system at an ideal working level by deploying the latest microcomputer-chip technology intelligence control with pulse width modulation (PWM) charging circuitry for higher efficiency. Large LCD display (30Amp only) for easy monitoring.

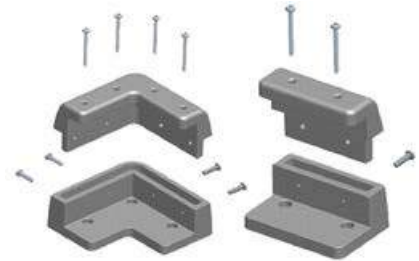
- SPECIFICATIONS:**
- 12V



CAMEC SOLAR CHARGE REGULATOR 30 AMP 12V
040435

Regulates the charge between solar panels and battery(s). features a large LCD display with selectable voltage and current readout. PWM charging for panels up to 400W total.

- SPECIFICATIONS:**
- 30A max (up to 400W of solar panels)
 - More than one unit can be used for increased capacity



CAMEC SOLAR PANEL MOUNTING KIT 4 CORNER AND 2 SIDE BRACKETS
040436

For solar panels of all sizes with thicknesses up to 40mm. Secure to any surface - caravan, motorhome, boat, flat roof by adhesive or screw. Increases air flow and reduces panel temperature, reducing power loss.

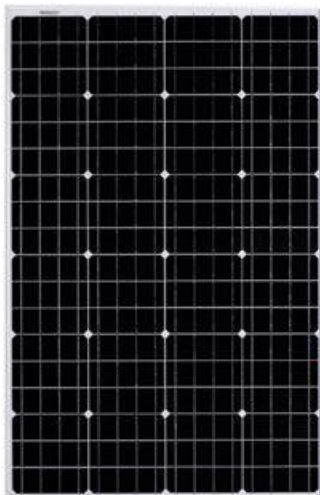
Each bracket comes in two sections - the base is first added to your roof at the correct location. The panel sits onto these brackets, then the top bracket slides into the base bracket and is screwed in place. Locking screws can be placed from the top where your panel is less than 40mm thick.



CAMEC SOLAR PANEL CABLE KIT 2 PIECE
040437

This cable kit consists of a 3 metre +- lead and +- splitter enabling you to link two folding panels together for greater output.

Solar Regulator
Controls voltage, direction of current and prevents overcharging



Solar Panel

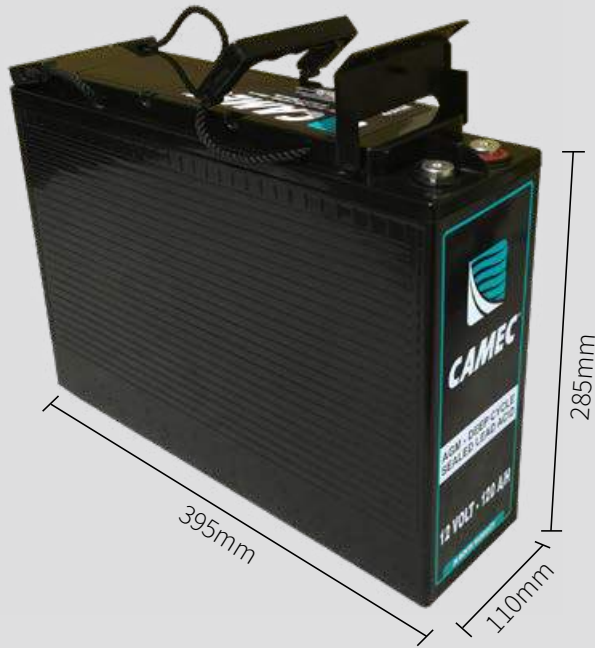


Deep Cycle Battery
Stores the solar energy for later use



Recommended - Low battery voltage isolation device to ensure maximum battery life

BATTERIES

**CAMEC AGM - DEEP CYCLE 12V - 120AH SLIM BATTERY**
044771**FEATURES:**

- Front terminals make installation, maintenance and supervision easy
- Shield design protects terminals from short circuit
- Unique vent valve design, reducing water loss and prevent air/spark from entering
- 26 month warranty

SPECIFICATIONS:

- Nominal voltage: 12v
- Nominal capacity: 120Ah @ 20 hour rate FV (1.8V/cell)
- Approximate weight: 31.0kg (68.34lbs)
- Terminals: 13 (M8 female thread)
- Internal resistance: $\leq 3.5 \Omega$ (fully charged)
- Maximum discharge current: 1200A (5 sec)
- Maximum charge current: 25A
- Operating temperature range: Charge: -10°C ~ 40°C (14°F ~ 104°F) Discharge: -20°C ~ 50°C (4°F ~ 122°F)
- Storage: -15°C ~ 40°C (5°F ~ 104°F)
- Self discharge: 3% of capacity declined per month at 25°C
- Dimensions battery: 395mmL x 110mmW x 285mmH
- Dimensions terminal: 16mm dia x 6mmH x 8mm hole dia

**CAMEC SEALED LEAD ACID BATTERIES**

042885 100AH
043165 120AH

Perfect for use with Camec Solar Panels, Sealed Lead Acid (SLA) Absorbed Glass Mat (AGM) batteries are ideal for RV and marine use. They are completely sealed and can be stored at any angle with great vibration resistance, making them ideal for 4 x 4 use as well. The tough and high quality ABS housing will last for decades without aging or deforming keeping your battery in perfect condition. High purity, thick lead-calcium alloy plates ensure a long design lifespan of up to 8 years and the quality copper-silver terminals have a small contact resistance and high corrosion resistance.

FEATURES:

- 26 month warranty
- 100% sealed
- Maintenance free

SPECIFICATIONS:**100AH AGM BATTERY**

- Nominal Capacity: 100Ah @ 20hr rate FV (1.75V/cell)
- Operating Temp Range: Charge 0 to 40°C
- Discharge: -20 to 50°C
- Storage: -20 to 40°C
- Dimensions: 306mm(L) x 210mm(h) x 169mm(d)
- Weight: 25.5kg

120AH AGM BATTERY:

- Nominal Capacity: 120Ah @ 20hr rate FV (1.80V/cell)
- Operating Temp Range: Charge -10°C to 40°C
- Discharge: -20°C to 50°C
- Storage: -20°C to 40°C
- Dimensions: 332mm(L) x 217mm(h) x 172mm(d)
- Weight: 31kg



SOCKET
003779

Female socket c/w battery terminal clips.



HEAVY DUTY BATTERY SLIDING TRAYS
003250 SMALL
003251 LARGE

A heavy duty all in one battery sliding system. Includes strap. Zinc ball bearing sliders. Dual locking system.

Battery Slider Small

- Closed Dimensions: 395mm(w) x 400mm(d) x 90mm(h)
- Extended Depth: 710mm (with locks 745mm)
- Battery Compartment: 355mm(d) x 335mm(w)

Battery Slider Large

- Closed Dimensions: 400mm(w) x 435mm(d) x 90mm(h)
- Extended Depth: 715mm (with locks 750mm)
- Battery Compartment: 390mm(d) x 355mm(w)



12V SOCKET FEMALE
003304



BATTERY BOX LARGE SNAP TOP - NOCO
043749

Injection molded UV protected polypropylene plastic box effectively protects the battery, allows ventilation and prevents accidental contact of battery terminals. Patented Snap-Top™ lid secures the lid to the base. Includes mounting hardware.

SPECIFICATIONS:

- Internal Dimensions: 368mm(l) x 254mm(h) x 200mm(d)
- External Dimensions: 451mm(l) x 267mm(h) x 257mm(d)
- Suits CAMEC 100AH and 120AH batteries



CAMEC PLUS 2 15A RV EXTENSION LEAD
042886

- Extra value
- 2 metres longer than other brands
- Safety LED illuminated socket
- 15A large blade earth pin
- 12m



GRAB HANDLES

**CAMEC LED GRAB HANDLE CHROME WITH BLUE NIGHT LIGHT FUNCTION**

041478 CHROME
041479 BLACK
041480 WHITE

FEATURES: stylish ergonomic handle design for easy grip that is salt water and UV protected. Includes 42 LED cool white illumination lights, soft blue LED night light, glow in the dark switch and optional output to activate a step light. Available in 3 finishes. Direct replacement for Bargman style handle lights.

FEATURES:

- Press switch to activate the blue light options. Blue night light, main white LED, optional step light or to turn on/off
- Press and hold the switch when the blue night light is on to turn it off without turning on the main white light
- Stylish ergonomic handle design for easy grip
- Salt water and UV protected
- Convenient 42 LED cool white illumination light
- Soft blue night light
- Glow in the dark switch cover for easy location of the handle at night
- Switch 12V output for an optional step light (not supplied)

NOTE: The switched output is negative

SPECIFICATIONS:

- Dimensions: 144mm(l) x 46mm(h) x 222mm(w)
- Wiring Colours: Red (+) 12V, Black (-) 12V
- White Switched (-) 12V for Step Light output
- Wattage: 3.5W
- 12V DC Operation

**CAMEC BARGMAN REPLACEMENT LENS**

041806

Suitable for Bargman grab handles.

FEATURES:

- UV protected
- Suitable for 3061-115/120 Bargman Grab Handles



230V MALE CORD CONNECTOR ONLY
003214

FEATURES:

- Clear shell for visual inspection
- Unique snap on connection
- 16Amp IP44



230V FEMALE CONNECTOR ONLY
003215

FEATURES:

- Plugs into all NZ standard inlets
- Unique snap on connection
- 16Amp IP67



10M LEAD 230V STANDARD
003216

FEATURES:

- Standard kit for most vehicles
- 16Amp 2P+E
- With male and female plug



EXTERIOR INLET ANGLED
003222

FEATURES:

- With cap
- Waterproof (IP67)
- 16Amp 2P+E



EXTERIOR INLET FLUSH MOUNTED
003223

FEATURES:

- With cap
- Waterproof (IP67)
- 16Amp 2P+E



10M LEAD 230V ANGLED
003220

FEATURES:

- With angled connector
- Matches SA3625-001
- 16Amp 2P+E IP44



230V ANGLED FEMALE CONNECTOR
003224

FEATURES:

- Designed for SA3625-001
- 230v lead points downwards
- 16Amp 2P+E 90° IP44



OUTLETS AND PANELS



POWER OUTLET 10A WHITE FOR EXTERNAL USE
000225

Designed to be fitted to the exterior wall of the RV for power to annex. Double pole.

FEATURES:

- Inlet connection complete with waterproof flap and sealing gasket

SPECIFICATIONS:

- 10A
- Dimensions (cover): 80mm(w) x 100mm(h)
- Recess (into the wall): 35mm at the centre
- White



VOLTAGE SENSITIVE RELAY - DUAL SENSE
000573

The Dual Sense VSR supersedes the single sensed unit by allowing the voltage of both battery banks to be monitored. If either battery bank is receiving a charge the VSR will parallel the two battery banks. The Dual Sense unit is designed for situations where a 230V battery charger or second charging source is used into the house battery bank.

FEATURES:

- 12-24v

SPECIFICATIONS:

- 140A
- Dimensions: 69mm(h) x 69mm(w) x 50mm(d)



BATTERY MASTER SWITCH
000888

This battery master switch has a number of unique features. The highlights being the locking system, allowing it to be a stand alone unit, or locked together with other switches. It also features a control knob which cannot be removed whilst in the ON and OFF position. It can, however be removed by switching to an anti-clockwise 45° position. The control knob also features an interchangeable labeling system allowing a full range of applications. The switch also includes a self cleaning sliding contact along with a removable rear cover insulating the rear terminals. It can be either surface or recess mounted by cutting 52mm hole.

SPECIFICATIONS:

- Continuous Rating: 275 Amps DC
- Intermittent Rating: 455 Amps DC
- Voltage: 12-32volts
- Operation: ON/OFF
- Ignition Protected
- Termination Stud Size: 2 x 10mm



RV TRAVELLER VOLTMETER
000880 12V - 8-16V
000881 24V - 16-32V
000883 RV TRAVELLER 450A 50MV SHUNT

FEATURES:

- Expanded scale face
- Colour coded for easy reading
- Recessed mounted giving stylish finish

SPECIFICATIONS:

- Dimensions: 108mm(w) x 108mm(h) x 40mm recess x 16mm side protrusion



SWITCH PANEL
000864
12v. 6 switches.



SWITCH PANEL LABEL SHEET
000865



REPLACEMENT HALOGEN BULB
002310

SPECIFICATIONS:

- 8watt
- 12V
- G410



EXTRACTOR FAN & LIGHT

- 001390 WHITE 12V
- 001386 CHROME 12V
- 001391 WHITE 24V

Popular bathroom ventilation system. Motor 2.8W, 12 or 24V.

SPECIFICATIONS:

- Colours: Gold, White, Chrome
- Dimensions: Cut Out 90mm x 140mm(w) x Depth 40mm(d)



12V SOCKET WITH ANTENNA (F CONNECTOR) JACK
001440

Interior use. Single.



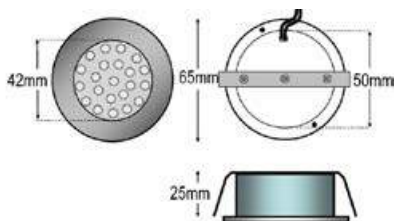
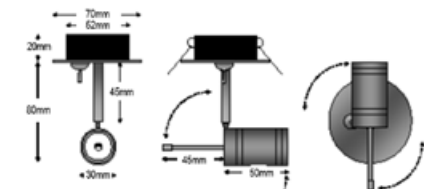
30 LED (T5) FLURO REPLACEMENT BULB
003153

This is a super bright 30x LED fluro bulb replacing any T5 fluro light fitting. However, you must remove the circuit board within the fluro light fitting and run 12volts directly to the 30x LED bulb for full brightness, otherwise you will only get 1/3 of the brightness.



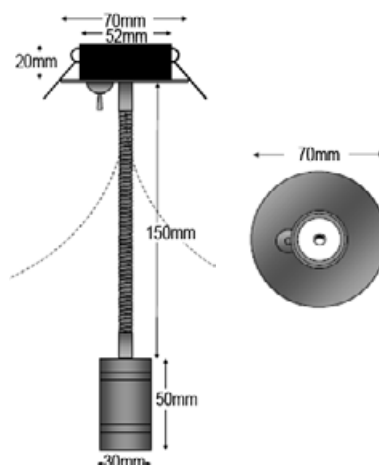
SINGLE SUPER BRIGHT LED SPOTLIGHT
003158

Fully Adjustable Reading Light, with switch. Recessed.



LUMO MULTI LED21
003156

Recessed, no switch. Nickel.



FLEXIBLE SINGLE SUPER BRIGHT LED - RECESSED
003157

Reading light with flexible neck, with switch.



LUMO ELLIPSE 2 X 8W WITH SWITCH 12V SATIN (F2055)
003169

Specifically designed for use in caravans, motorhomes and boats. Cost efficient, stylish design and easily installed.

FEATURES:

- 2 x 8w tubes

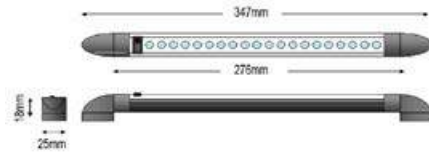
SPECIFICATIONS:

- Dimensions: 418mm(L) x 100mm(h)

LIGHTING



CORONET SURFACE MOUNTED
 003171 WHITE WITH SWITCH 10W HALOGEN
 003172 SATIN SILVER WITH SWITCH 9W
 • 12volt



LUMO LED20 ROTALITE MINI STRIP LIGHT
 004141
 Energy efficient super slim rotating strip light.



FRILIGHT 36 LED SQUARE
 041940
 • 80 9790MK
 • Recessed
 • Matt chrome



LED 12 G4 12V TRANS AX 1.3W
 003190
 • 12v

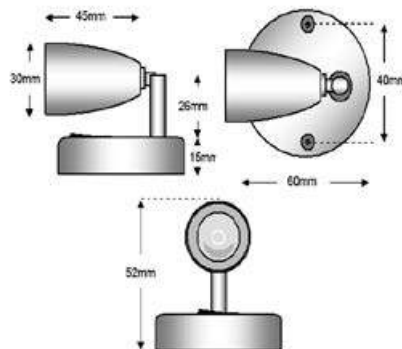


LED CONVERSION BULBS
 004144
 • Lumo G4 MR11 1.3w
 • 8-30v DC

LIGHTING SPARE PARTS
 000192 12V 8W FLUO REPLACEMENT BULB
 001441 FLURO TUBE FOR F2046 SA3315
 000213 HALOGEN BULB G45 12V 5W
 001408 PLASTIC DUCT
 004154 BATTERY HOLD DOWN CLAMP 7"
 003221 230V CARAVAN CONVERSION KIT 3 PIECE.



AWNING LIGHT 12V CLEAR LENS
 000190
 • No switch



LUMO LED01 ECO SPOTLITE
 004142
 Fully adjustable economy LED spotlight.



AWNING LIGHT 12V CLEAR LENS
 000191
 • With switch



